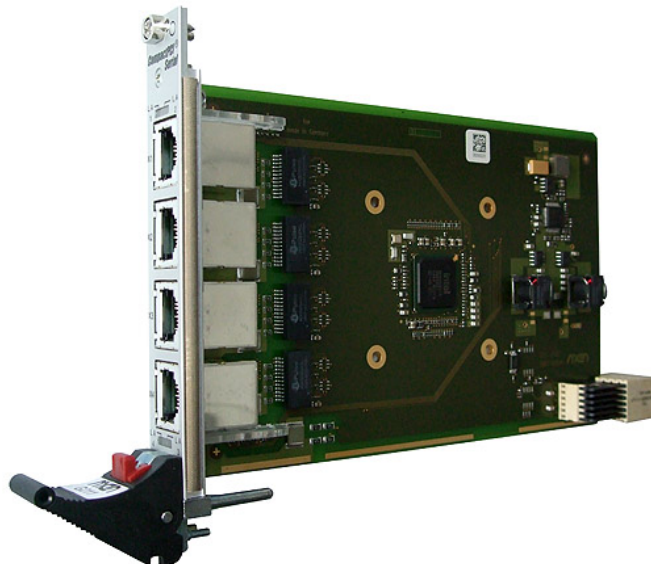


G211 – 3U CompactPCI® Serial Quad Gigabit Ethernet Interface

- **Four 10/100/1000Base-T Ethernet channels**
- **Alternatively two redundant channel pairs**
- **Full-duplex or half-duplex**
- **RJ45 or robust M12 connectors**
- **Fully integrated to comply with IEEE802.3u**
- **1500 V isolation voltage**
- **-40 to +85°C screened**
- **PICMG CPCI-S.0 CompactPCI® Serial peripheral card**

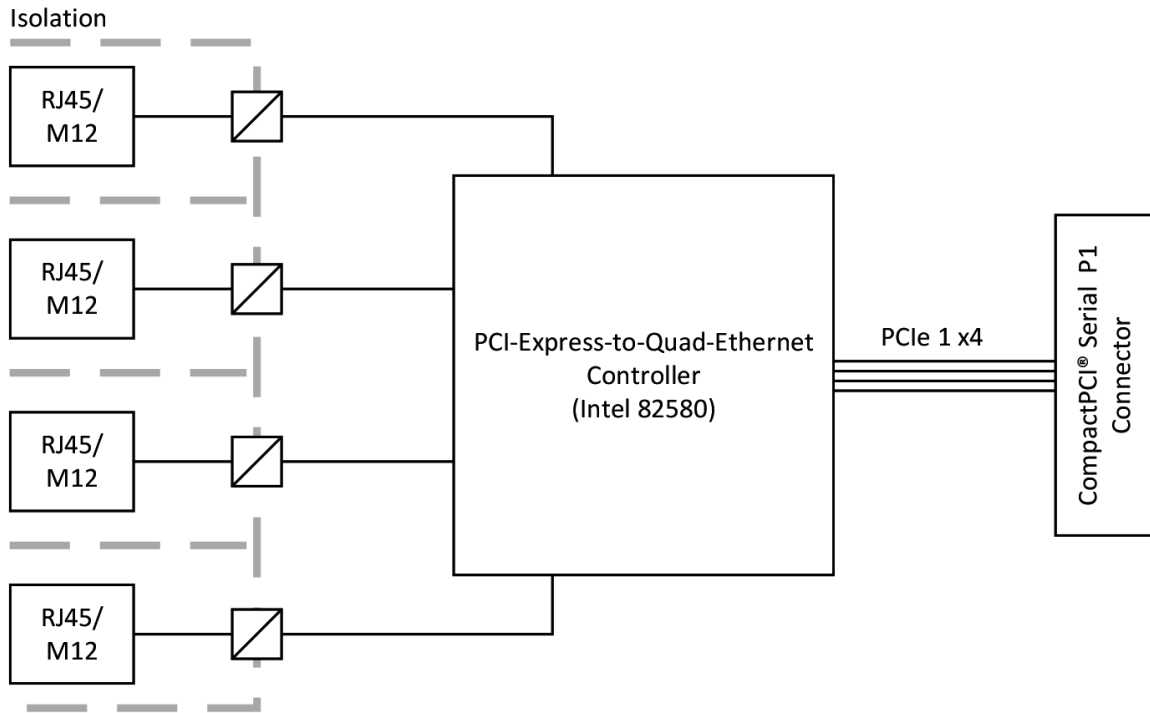


The G211 quad Ethernet interface is a rugged single Eurocard CompactPCI® Serial peripheral board. It can be used in combination with a CompactPCI® Serial or CompactPCI® PlusIO CPU board in a CompactPCI® Serial or hybrid system.

It provides four Gigabit Ethernet interfaces at the front panel which can be accessed either on four RJ45 or four

M12 connectors making it especially suited for applications in harsh environments. All four interfaces are controlled by one Ethernet controller which is connected to the backplane via a x4 PCI Express® link and supports the IEEE 802.3x standard. Each interface supports a data transfer rate of 1Gbit/s, even if all interfaces are used simultaneously. Two LEDs show the link and activity status of every interface. The G211 is screened for extended operating temperature and prepared for conformal coating for use in harsh and mobile environments.

Diagram



Technical Data

Ethernet Interfaces	<ul style="list-style-type: none">■ Four 10/100/1000Base-T interfaces■ IEEE802.3x support<ul style="list-style-type: none">□ Full-duplex flow control□ Half-duplex back pressure collision flow control□ 1 Gbit/s data transfer rate for each interface, even if all four interfaces are used simultaneously■ 4x2 status LEDs to signal link status and activity
Front Connections	<ul style="list-style-type: none">■ Four standard 8-pin RJ45 or M12 receptacle connectors
CompactPCI® Serial	<ul style="list-style-type: none">■ Compliance with CompactPCI® Serial PICMG CPCI-S.0 Specification■ Peripheral slot■ Host interface: One PCI Express® x4 link<ul style="list-style-type: none">□ PCIe® 2.0 support□ Data rate up to 2 GB/s in each direction (5 Gbit/s per lane)
Electrical Specifications	<ul style="list-style-type: none">■ Isolation voltage: 1500V between Ethernet links and between Ethernet links and shield or ground■ Supply voltage/power consumption:<ul style="list-style-type: none">□ +12V (-5%/+5%), 3.5 W typ/ 6 W max.
Mechanical Specifications	<ul style="list-style-type: none">■ Dimensions: conforming to CompactPCI® Serial specification for 3U boards■ Weight: 240 g (with heat sink)
Environmental Specifications	<ul style="list-style-type: none">■ Temperature range (operation):<ul style="list-style-type: none">□ -40..+85°C (screened)□ Airflow: min. 1.0 m/s■ Temperature range (storage): -40..+85°C■ Relative humidity (operation): max. 95% non-condensing■ Relative humidity (storage): max. 95% non-condensing■ Altitude: -300 m to + 3,000 m■ Shock: 15 g, 11 ms■ Bump: 10 g, 16 ms■ Vibration (sinusoidal): 2 g, 10..150Hz■ Conformal coating on request
MTBF	<ul style="list-style-type: none">■ MTBF: 324,639h @ 40°C according to IEC/TR 62380 (RDF 2000)
Safety	<ul style="list-style-type: none">■ PCB manufactured with a flammability rating of 94V-0 by UL recognized manufacturers
EMC	<ul style="list-style-type: none">■ Tested according to EN 55022 (radio disturbance), EN 61000-4-2 (ESD), EN 61000-4-4 (burst) and EN 61000-4-5 (surge)
Software Support	<ul style="list-style-type: none">■ Windows®■ Linux

Configuration & Options

Standard Configurations

Article No.	Channels	Connectors	Front Panel	Operation Temperature
02G211-00	4	4 RJ45	4HP	0..+60°C
02G211-01	4	4 M12	4HP	-40..+85°C

Options

Ethernet	<ul style="list-style-type: none"> Four RJ45 connectors at the front panel Four M12 connectors at the front panel
Operating Temperature	<ul style="list-style-type: none"> Depends on system configuration Maximum: +85°C Minimum: -50°C
Cooling Concept	<ul style="list-style-type: none"> Also available with conduction cooling in MEN CCA frame

Please note that some of these options may only be available for large volumes. Please ask our sales staff for more information.

Ordering Information

Standard G211 Models	<p>02G211-00 4 1000Base-T Ethernet interfaces, 4 RJ45 connectors at front, 0..+60°C</p> <p>02G211-01 4 1000Base-T Ethernet interfaces, 4 M12 connectors at front, -40..+85°C screened, conformal coating</p>
Software: Linux	<p>This product is designed to work under Linux. See below for all available separate software packages.</p> <p>13T001-90 Linux network driver (MEN) for G211, G211F, GM1, GM2 and GM3</p>
Software: Windows®	<p>This product is designed to work under Windows®. See below for all available separate software packages.</p> <p>13T010-70 Windows® 32-bit network driver (Intel®) for XM1, XM1L, XM2, MM2, CB70C, F11S, F18, F18E, F19P, F21P, F22P, G20, G22, GM1, GM2, GM3, G211, G211F, SC24, BC50I, BC50M, BL50W, BL50S, BL70W and BL70S</p> <p>13T020-70 Windows® 64-bit network driver (Intel®) for F18, F18E, F19P, F21P, F22P, G20, G22, GM1, GM2, GM3, G211, G211F, XM2, CB70C, SC24, BC50I, BC50M, BL50W, BL50S, BL70W and BL70S</p>

For operating systems not mentioned here [contact MEN sales](#).

Documentation	<p>Compare Chart 3U CompactPCI® Serial CPU and I/O cards » Download</p> <p>Compare Chart 3U CompactPCI® / PlusIO CPU cards » Download</p> <p>20G211-00 G211 User Manual</p>
----------------------	--

Contact Information

Germany

MEN Mikro Elektronik GmbH
Neuwieder Straße 3-7
90411 Nuremberg
Phone +49-911-99 33 5-0
Fax +49-911-99 33 5-901

info@men.de
www.men.de

France

MEN Mikro Elektronik SAS
18, rue René Cassin
ZA de la Châtelaine
74240 Gaillard
Phone +33 (0) 450-955-312
Fax +33 (0) 450-955-211

info@men-france.fr
www.men-france.fr

USA

MEN Micro Inc.
860 Penllyn Blue Bell Pike
Blue Bell, PA 19422
Phone (215) 542-9575
Fax (215) 542-9577

sales@menmicro.com
www.menmicro.com

The date of issue stated in this data sheet refers to the Technical Data only. Changes in ordering information given herein do not affect the date of issue. All brand or product names are trademarks or registered trademarks of their respective holders.

MEN is not responsible for the results of any actions taken on the basis of information in the publication, nor for any error in or omission from the publication.

MEN expressly disclaims all and any liability and responsibility to any person, whether a reader of the publication or not, in respect of anything, and of the consequences of anything, done or omitted to be done by any such person in reliance, whether wholly or partially, on the whole or any part of the contents of the publication.

The correct function of MEN products in mission-critical and life-critical applications is limited to the environmental specification given for each product in the technical user manual. The correct function of MEN products under extended environmental conditions is limited to the individual requirement specification and subsequent validation documents for each product for the applicable use case and has to be agreed upon in writing by MEN and the customer. Should the customer purchase or use MEN products for any unintended or unauthorized application, the customer shall indemnify and hold MEN and its officers, employees, subsidiaries, affiliates, and distributors harmless against all claims, costs, damages, and expenses, and reasonable attorney fees arising out of, directly or indirectly, any claim or personal injury or death associated with such unintended or unauthorized use, even if such claim alleges that MEN was negligent regarding the design or manufacture of the part.

In no case is MEN liable for the correct function of the technical installation where MEN products are a part of.

Copyright © 2015 MEN Mikro Elektronik GmbH. All rights reserved.